

Argo 8x8
750 HDi

Argo 8x8
700 HD



Argo 8x8

PARTS MANUAL

From Serial # ...34521

Foreword

ODG has prepared this parts manual for the HDi/HD models to assist both qualified mechanics and vehicle owners in ordering correct, quality replacement ARGO parts. For the most current parts manual visit our website at www.argoatv.com.

Proper and regular service, and replacing old, worn or broken parts with the correct ARGO replacement parts, are both essential to prolonging the life of the ARGO. Please refer to this parts manual and/or our website www.argoatv.com before ordering any replacement part.

All information contained in this HDi/HD Parts Manual is based on the latest product specification available at time of printing. If your HDi/HD differs from the specifications contained in this manual, check our website www.argoatv.com for the most current information.

ODG reserves the right to alter specifications on the HDi/HD models at any time, without obligation or prior notification.

Reproduction of this HDi/HD Parts Manual, in whole or in part, is prohibited without prior written permission from Ontario Drive & Gear Limited.

Vehicle Identification

HDi - Serial Nos. ...34521

Explanation of Parts Manual Format

Ref - Reference number between assembly diagram and component parts list

Part No. - Argo replacement part number for identification and re-ordering

Description - Part description for identification and re-ordering

Qty - Indicates the quantity of a part used in an assembly

ARGO 8x8 750 HDi

ARGO 8x8 700 HD



Using the Parts Manual

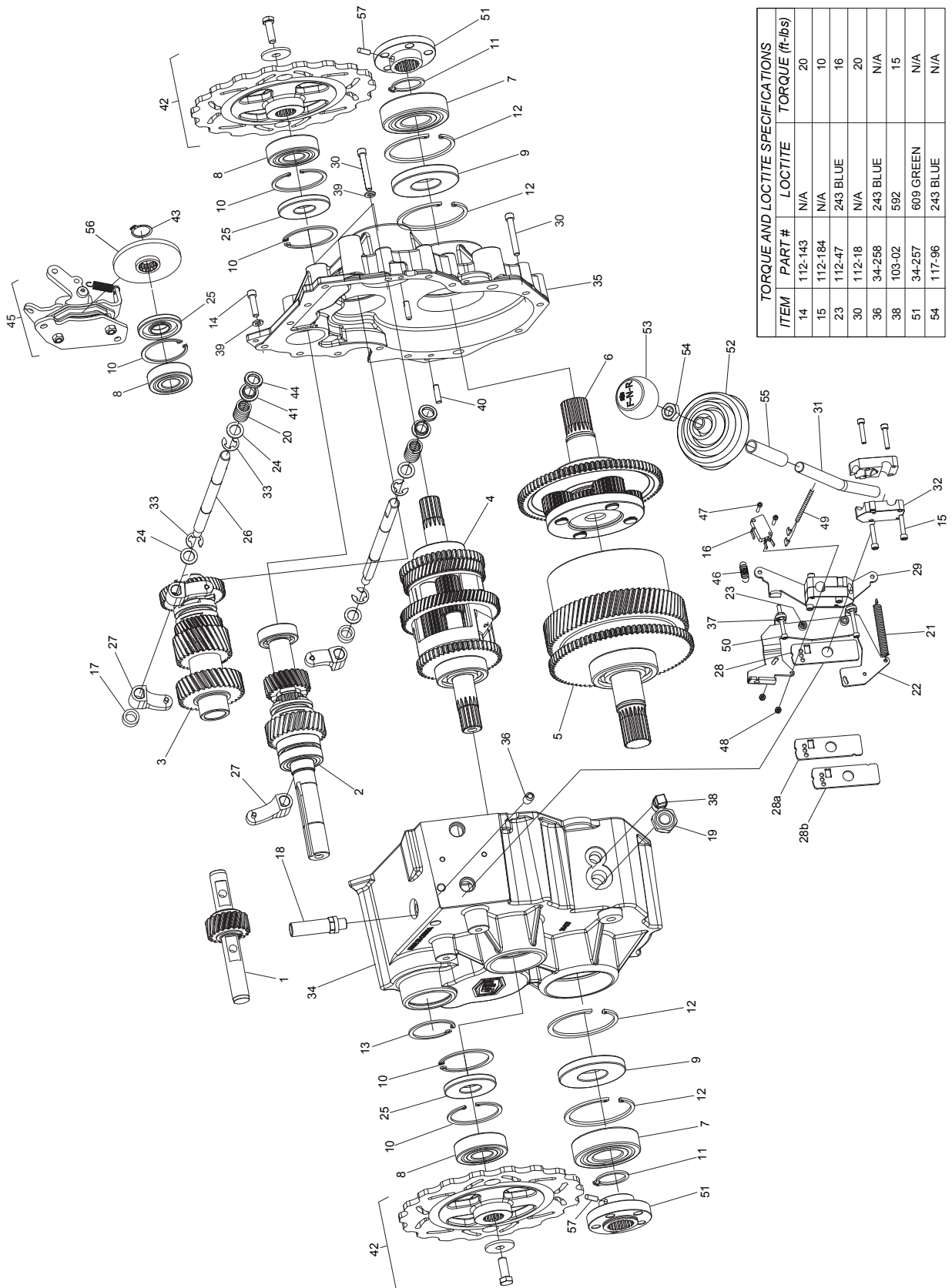
1. Find the major vehicle assembly in the Table of Contents on this page, and turn to that section.
2. Locate the part in the illustration that you wish to order.
3. Refer to the parts list in that section.
4. Find the correct part number (Part No.), part description (Description) and correct quantity (Qty).
5. Use *only* this information to order ARGO replacement parts. **DO NOT** attempt to order a replacement part by reference number or page number.

Table of Contents

Foreword	i
Vehicle Identification.....	i
Using the Parts Manual	ii
1.0 Transmission	1
1.1 Transmission Sub-Assemblies	3
2.0 Intake and Exhaust System.....	5
3.0 Clutch System	7
4.0 Power Pack Assembly	9
5.0 Steering & Brake System	11
6.0 Parking Brake	13
7.0 Vehicle Body & Firewall.....	15
8.0 Frame & Drive System	17
9.0 Fuel System & Seat Assembly	19
10.0 Electrical System.....	21

1.0 Transmission

HDi/HD Parts Manual



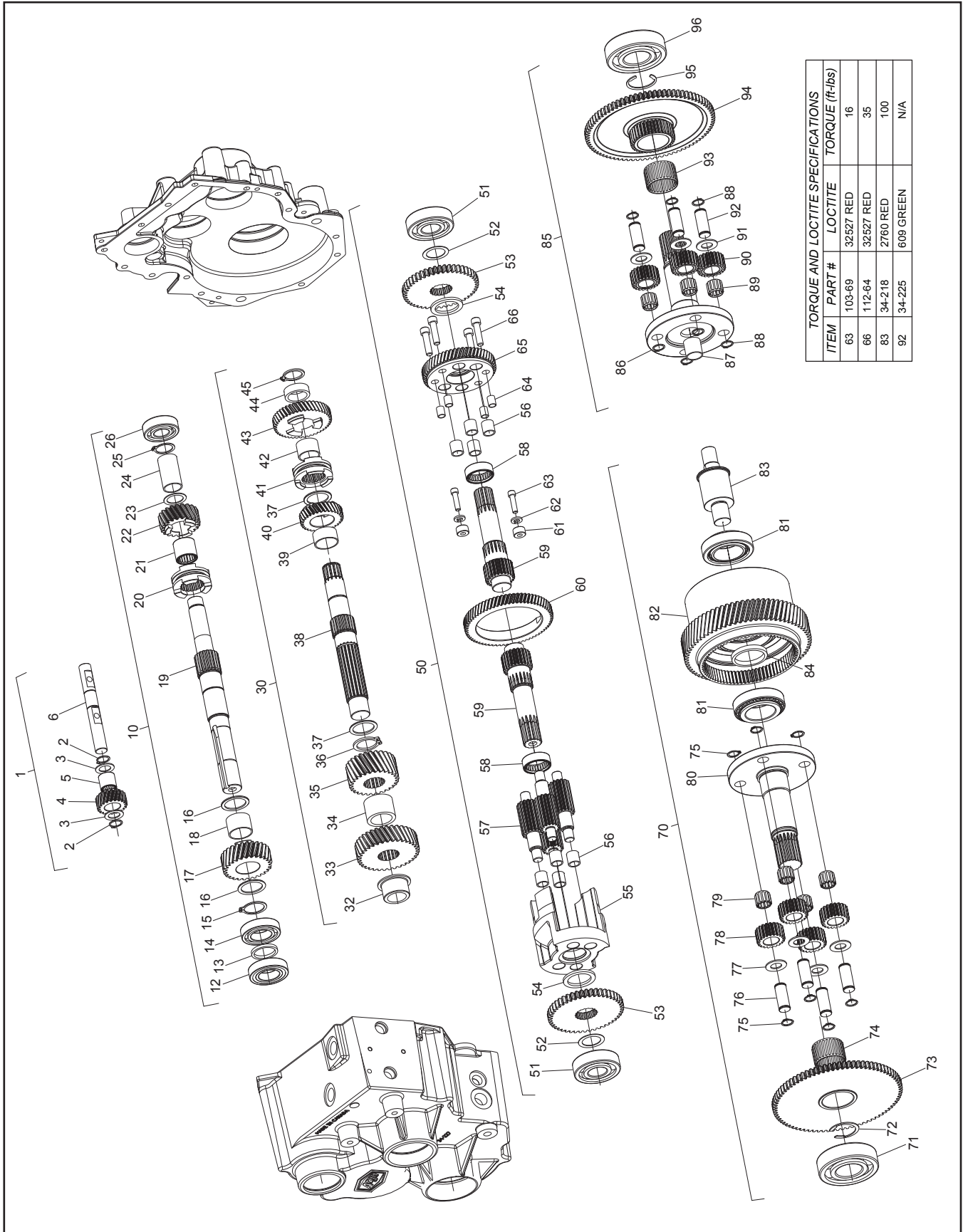
HDi/HD Parts Manual

1.0 Transmission

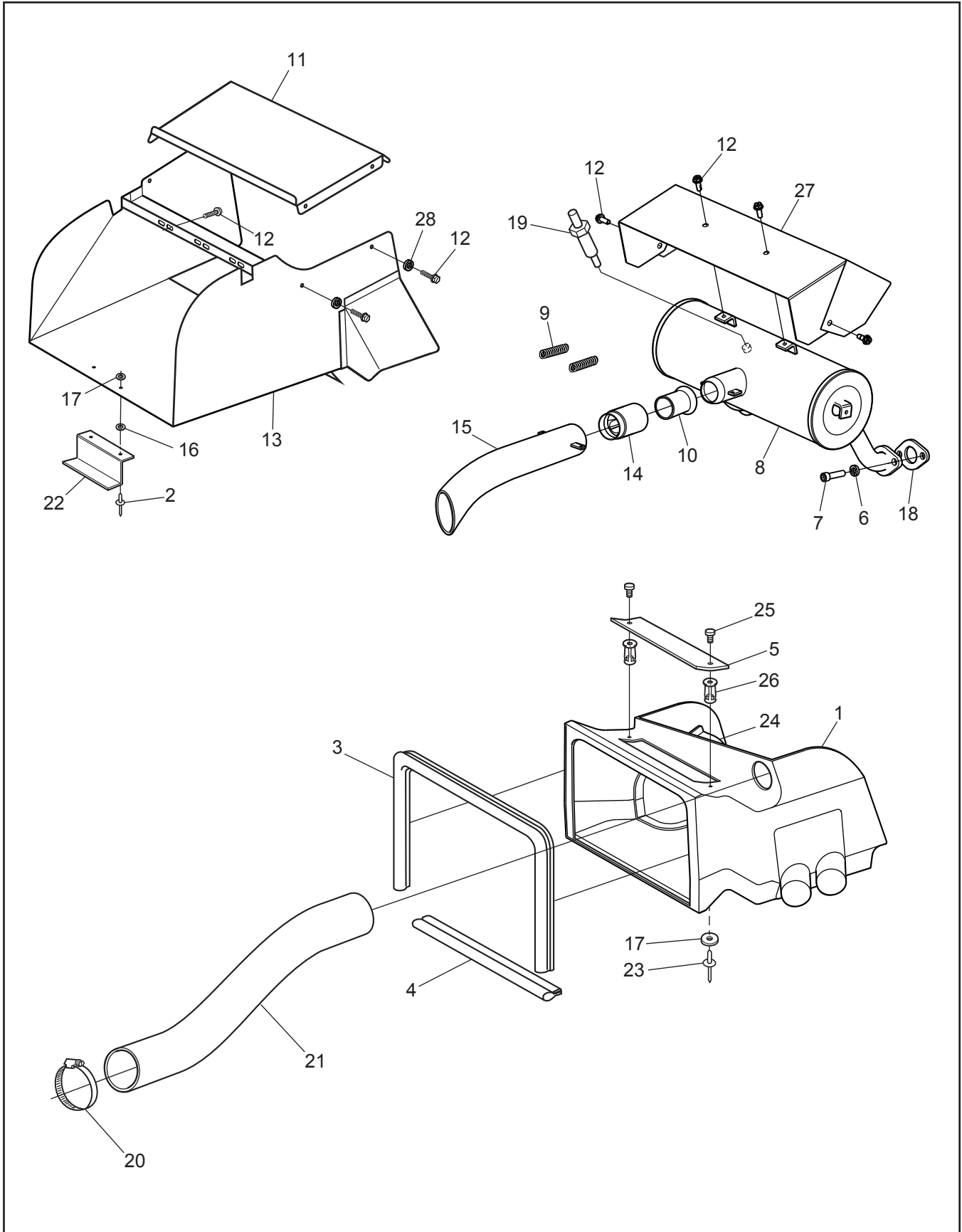
Ref.	Qty.	Part #	Description	Ref.	Qty.	Part #	Description
	1	34-200-6.4	Transmission Admiral 6.4 Ratio	46	1	127-195	Spring, Ext., .75 x 2.73
		-FG		47	2	112-172	SHCS 5-40 x 3/4 Zn
	1	34-200-8.4	Transmission Admiral 8.4 Ratio	48	2	112-173	Locknut, #5-40 Zn
		-FG		49	1	613-112	Wire Harness, Neutral Start
1-6			See Section 1.1 Trans. Sub Assemblies	50	2	112-195	SHCS 8-32 x 1.5 Stainless
7	2	101-81	Bearing, Ball 6307 ZZE	51	2	34-262	Coupler, Output Shaft, Pinned
8	3	101-86	Bearing, Ball 6305 Zz	52	1	609-44	Boot, F-N-R Shifter
9	2	102-33	Seal, Oil 35x80x10	53	1	127-226	Knob, Shift F-N-R - HD
10	5	106-05	Retaining Ring HO-244-PA	54	1	117-96	Nut, Jam 1/2-13
11	2	106-23	Retaining Ring SH-0137-PA	55	1	127-228	Sleeve, Insulating - 2.75"
12	4	106-24	Retaining Ring H0-312-PA	56	1	165-52	Rotor, E-Brake
13	1	106-26	Retaining Ring H0-206-PA	57	2	104-75	Pin, Spring, 3/16x13/16 Zn
14	10	112-143	SHCS 5/16 x 1.25 Zn				
15	8	112-184	SHCS, 10-32 x 1				
16	1	613-151	Switch, Micro, Roller Lever				
17	2	114-21	Spacer, .51x.75x.36				
18	1	34-245	Plug, Fill/Vent 1/2 BSPP				
19	1	34-251	Site Glass, 1/2 BSP Aluminum				
20	2	127-186	Spring, Comp. 0.70x1.28				
21	1	127-194	Spring, Ext .360x3.0				
22	1	34-241	Bracket, Switch, Spring Mount				
23	2	112-47	SHCS 1/4-20 x 1.0 Zn				
24	3	108-35	Washer .53x1.06x.09 Zn				
25	3	102-37	Seal, Oil 25x62x7				
26	2	34-231	Shaft, Shift - F-N-R				
27	4	34-232	Fork, Shift - Half				
28	1	34-233	Plate, Detent				
28a	1	34-233L	Plate, Detent, Left Adj.				
28b	1	34-233R	Plate, Detent, Right Adj.				
29	1	34-242	Bracket, Spring Mount				
30	8	112-18	SHCS 5/16x2.25				
31	1	34-235	Lever, Shaft - F-N-R				
32	4	34-236	Clamp, Lever Shaft				
33	3	106-30	Retaining Ring E-0050 E				
34	1	34-227	Housing, Admiral, Left (includes Ref. # 36)				
35	1	34-228	Housing, Admiral, Right				
36	1	34-258	Plunger, Ball - Nose Spring				
37	4	117-92	Nut, Hex Machine #8-32 Zn				
38	1	103-02	Plug, Magnetic 3/8-18Npt Sq. Hd				
39	11	108-05	Lockwasher 5/16 Split-Ring Zn				
40	2	104-03	Pin, Dowel 1/4x7/8				
41	2	105-33	Bushing, Flange				
42			See Section 4.0 Power Pack				
43	1	106-29	Retaining Ring SH-0093-PA				
44	2	102-36	Seal, Shift Shaft - 0.5 x .75 x .125				
45			See Section 6.0 Parking Brake				

1.1 Transmission Sub-Assemblies

HDi/HD Parts Manual

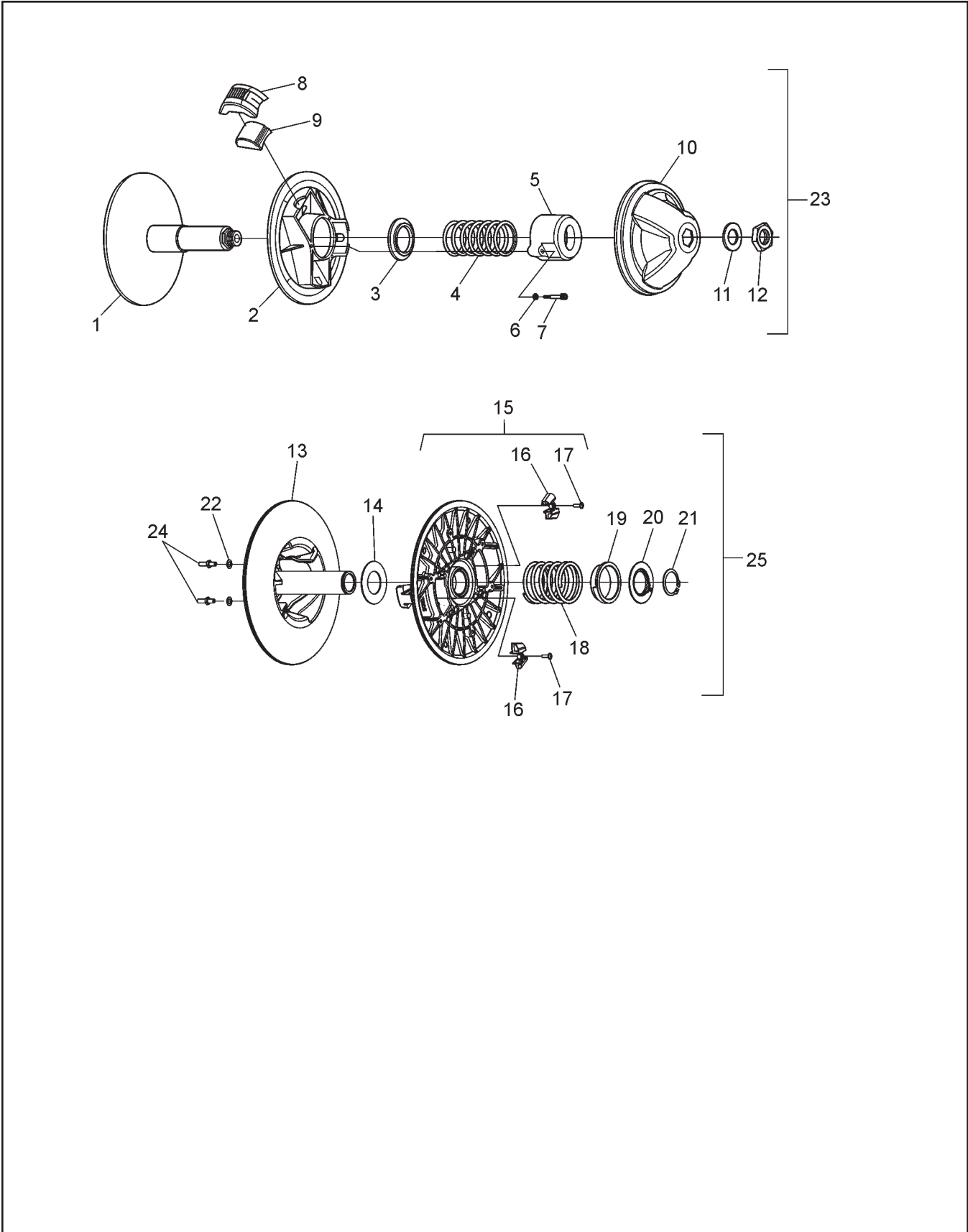


Ref.	Qty.	Part #	Description	Ref.	Qty.	Part #	Description
1	1	34-290	Asm, Reverse Shaft - Adm. includes:	58	2	101-84	Bearing, Needle HK3012
2	2	106-25	Retaining Ring SH-0078-PA	59	2	34-201	Shaft, Brake
3	2	108-99	Washer, Thrust .79x1.25 x .06	60	1	34-205	Gear, Helical - 67T
4	1	34-220	Pinion, Idler - 20T	61	2	105-28	Bushing, Dowel .26x.625x.36
5	1	101-87	Bearing, Needle HMK20x27x25	62	2	108-03	Lockwasher 1/4 Split Ring Zn
6	1	34-221	Shaft, Shift - Reverse	63	2	103-69	SHCS, 1/4-20 x 1.5 Zn
10	1	34-291	Asm, Input Shaft includes:	64	4	105-23	Bushing, Dowel - .312 x .5
12	1	101-89	Bearing, Ball 60/28 Llu	65	1	34-204	Gear, Helical - 55T
13	1	114-19	Spacer, 1.12x1.375x.148	66	4	112-64	SHCS 5/16 x 18 x 1.25
14	1	101-88	Bearing, Ball 60/28	70	1	34-294	Asm, Output Shaft LH-Adm. includes
15	1	106-27	Retaining Ring SH-112-PA	71	1	101-73	Bearing, Ball 6307 CL.N.
16	2	108-98	Washer, Thrust 1.13x1.46x.062	72	1	106-31	Retaining Ring C-0137
17	1	34-247	Pinion, For.-29T,12Dp-6.4 Ratio	73	1	34-207	Gear, Sun - 81T, 35T
	1	34-249	Pinion, For.-25T,12Dp-8.4 Ratio	74	1	101-83	Bearing, Needle KJ37x42x27S
18	1	105-32	Bushing, Bronze 1.125x1.25x.875	75	8	106-22	Retaining Ring SH-0056-PA
19	1	34-213	Shaft, Input	76	4	34-225	Pin, Planet Carrier
20	1	34-224	Collar, Shift, For-Rev	77	4	108-93	Washer, .59x1.10x.06
21	1	101-90	Bearing, Needle HK2220	78	4	34-217	Gear, Planet - 21T
22	1	34-214	Pinion, Reverse - 21T,12Dp	79	4	101-82	Bearing, Needle KM J15x21x17S
23	1	114-17	Washer, Thrust .866x1.181x.039	80	1	34-263	Carrier Shaft, Grooved LH
24	1	114-18	Spacer, .865x1.0x1.75	81	2	101-76	Bearing, Tapered Roller 32008X
25	1	106-25	Retaining Ring SH-0078-PA	82	1	34-219	Planetary Hub
26	1	101-01	Bearing, Ball 6204Z-C3	83	1	34-218	Shaft, Planetary Stub
30	1	34-295	Asm, Idler Shaft includes:	84	1	114-22	Spacer, 1.585x1.75x.245
32	1	105-30	Bushing, Flanged 1x1.375	85	1	34-293	Asm, Output Shaft RH - Adm. includes:
33	1	34-246	Gear, Helical - 33T- 6.4 Ratio	86	1	34-264	Carrier Shaft, Grooved RH
	1	34-248	Gear, Helical - 37T- 8.4 Ratio	87	1	105-26	Bushing, Oilite .75x.875x.875
34	1	108-96	Spacer, 1.125x1.5x1.083	88	8	106-22	Retaining Ring SH-0056-PA
35	1	34-209	Pinion, Helical - 27T	89	4	101-82	Bearing, Needle KM J15x21x17S
36	1	106-28	Retaining Ring SHR-0112-PA	90	4	34-217	Gear, Planet - 21T
37	2	108-98	Washer, Thrust 1.13x1.46x.062	91	4	108-93	Washer, .59x1.10x.06
38	1	34-208	Shaft, Idler	92	4	34-225	Pin, Planet Carrier
39	1	105-31	Bushing, Bronze 1.125x1.25x.625	93	1	101-83	Bearing, Needle KJ37x42x27S
40	1	34-210	Pinion, Helical - 31T	94	1	34-207	Gear, Sun - 81T, 35T
41	1	34-223	Collar, Shift, Hi-Low	95	1	106-31	Retaining Ring C-0137
42	1	105-29	Bushing, Oilite 1.0x1.125x.75	96	1	101-73	Bearing, Ball 6307 CL.N.
43	1	34-212	Pinion, Helical - 45T				
44	1	108-97	Spacer, 1.01x1.3x.409				
45	1	107-15	Retaining Ring SHR-98-PA				
50	1	34-292	Asm, Differential - Adm. includes:				
51	2	101-40	Bearing, Ball 6305 Open				
52	2	114-16	Washer, SHIM .99x1.375x.030				
53	2	34-203	Pinion, Spur - 46T				
54	2	108-94	Washer, Thrust 1.25x1.688x.125				
55	1	34-206	Cage, Differential				
56	8	105-27	Bushing, Oilite .5x.625x.625				
57	4	34-202	Gear, Planet - 15T				



Ref.	Qty.	Part #	Description
1	1	809-03	Duct, Intake
2	2	120-13	Rivet, 3/16 x 3/4 - Black
3	2	809-166-35	Seal, 35" Long
4	2	809-06	Seal, Radiator - 16.25" LG
5	1	601-111	Cover Plate, Intake Duct
6	4	108-02	Lockwasher 5/16 Hi-Collar Bare
7	4	112-30	SHCS M8 x 1,25 x 20mm Zn
8	1	607-121	Muffler Ass'y, EFI
8a	1	607-119	Muffler Ass'y
9	2	127-187	Spring, Extension - 17/32 x 3.75
10	1	607-135	Tube, Muffler, Flared x 2.0
11	1	607-190	Shield, Duct Exhaust Upper
12	11	112-19	Screw, IHWH T/C Slot 1/4-20 x 1/2
13	1	607-167	Duct, Exhaust, Avenger
14	1	607-171	Spark Arrestor, ODG
15	1	607-134	Pipe, Tail - Ass'y
16	2	125-58	Washer, Fibre - W-77F
17	12	120-04	Washer, .19 x .50 x .08 Zn
18	2	24 041 49	Gasket, Exhaust Manifold
19	1		See Section 4.0 Power Pack Assembly
20	1	100-128	Clamp, Gear 2.25"
21	1	848-194	Hose, Intake Flex 2" Dia. x 24"
22	1	607-170	Support, Exhaust Duct - Avenger
23	13	120-09	Rivet, 3/16 x 1.0 Black
24	1	809-04	Shroud, Intake Duct
25	2	117-89	Thumbscrew, 1/4-20 x 1, Nylon
26	2	117-53	Nut, Jack 1/4-20 8L-Jns Zn
27	1	607-123	Shield, Muffler Heat
28	4	108-03	Lockwasher 1/4 Split Ring Zn

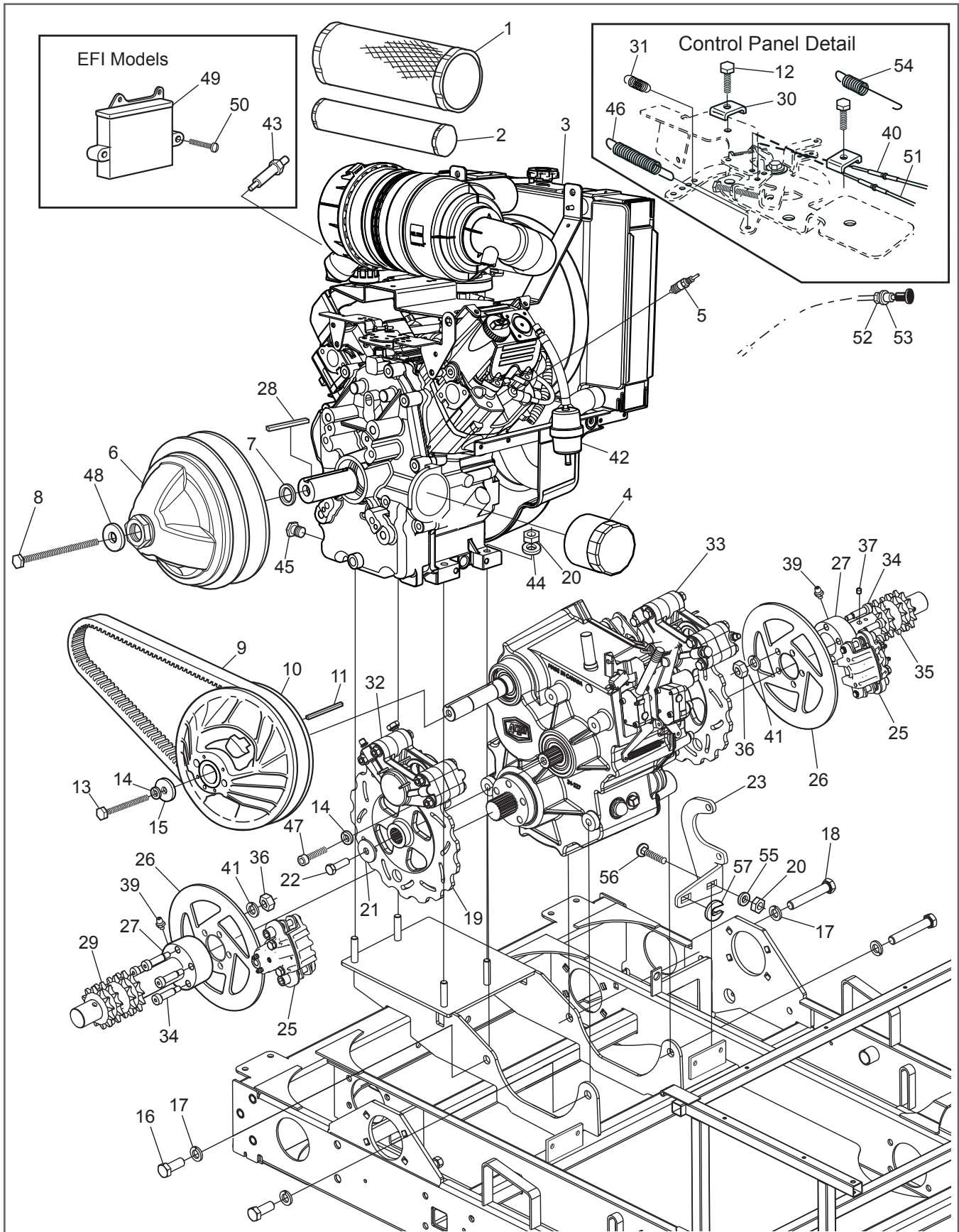
3.0 Clutch System



Ref.	Qty.	Part #	Description
1	1	0405-0075	Flange, Fixed
2	1	0410-0026	Flange, Sliding
3	1	0150-1014	Spring Guide Washer
4	1	0451-1114	Spring
5	1	0440-0005	Spring Cover
6	3	0080-0167	Lockwasher
7	3	0080-0021	Screw, Cap
8	3	0130-3012	Block
9	3	0135-3062	Weight (240gr) - EFI Model
	3	0135-3065	Weight (275gr) - 700 Models
	1	127-208	Weight Set (3), 185g - High Elevation
	1	127-209	Weight Set (3), 220g - High Elevation
	1	127-210	Weight Set (3), 240g - High Elevation
10	1	0115-0047	Cap
11	1	0080-0153	Washer, Zn
12	1	0080-0100	Nut
13	1	5905-0003	Flange, Fixed
14	1	0080-0164	Washer, Shim
15	1	5910-0002	Flange, Sliding
16	3	5930-3001	Cam Shoe
17	2	0080-0031	Screw
18	1	5951-1009	Spring
19	1	5950-3003	Spring Protector
20	1	5950-3002	Spring Support
21	1	0080-0216	Retaining Ring, Outside
22	2	0080-0167	Lockwasher
23	1	610-128	Clutch, Driver - EFI Models
	1	610-126	Clutch, Driver - 700 Models
24	2	0080-0035	Screw & Nut Ass'y
25	1	127-156	Clutch, Driven - INVANCE

4.0 Power Pack Assembly

HDi/HD Parts Manual



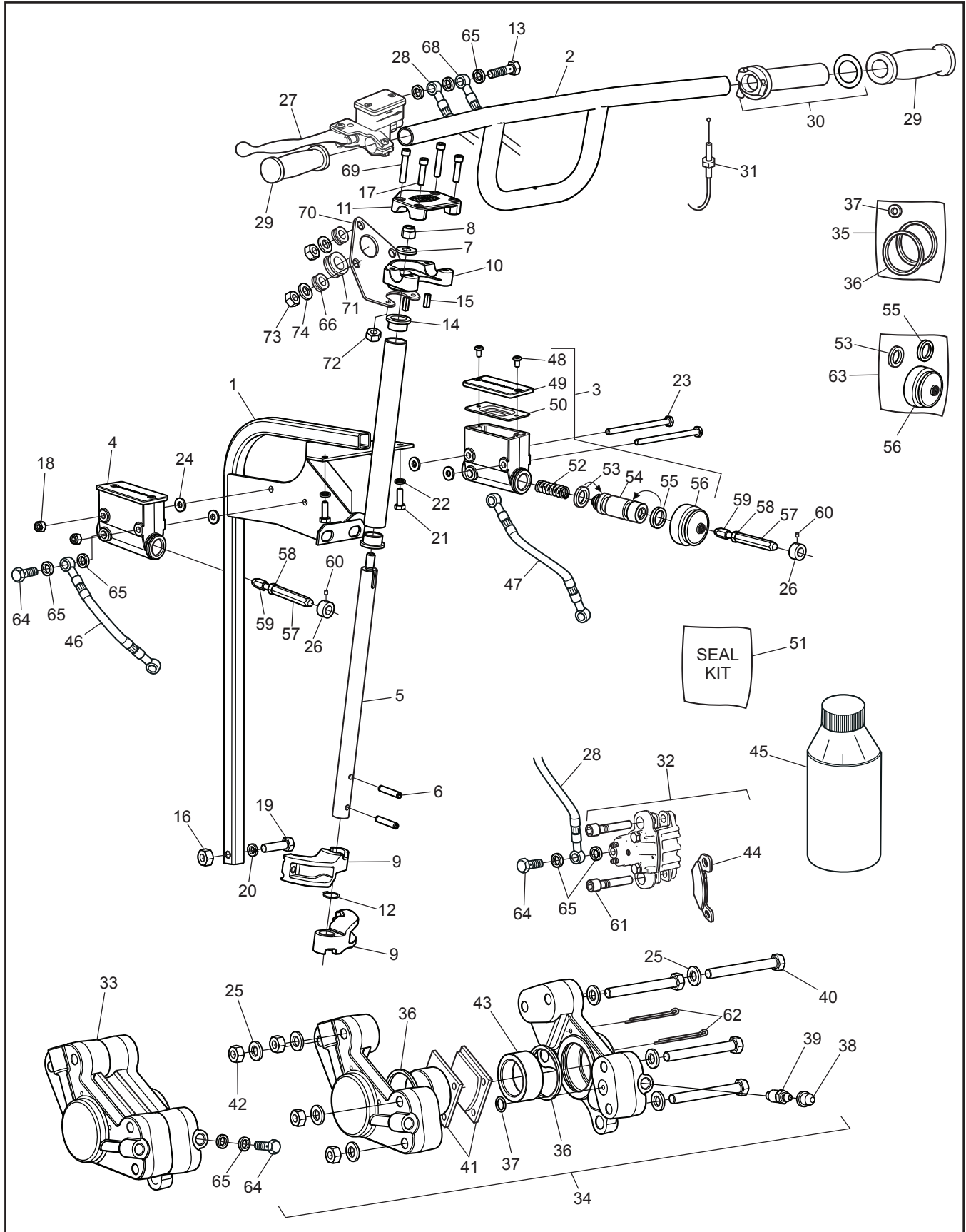
HDi/HD Parts Manual

4.0 Power Pack Assembly

Ref.	Qty.	Part #	Description	Ref.	Qty.	Part #	Description
1	1	25 083 01	Filter, Air	33			See Section 5.0 Steering & Brake System
2	1	25 083 04	Element, Inner				
3	1	LH775-3012	Kohler 30 HP Engine, EFI				
	1	LH690-3017	Kohler 24 HP Engine	34	10	112-201	Bolt, Shoulder M10 x 45
4	1	12 050 01	Filter, Oil	35	1	810-115	Shaft, Idler Spline, Short 11T
5		127-193	Sparkplug, RC14YC				
6			See Section 3.0 Clutch System	36	10	117-77	Locknut, Nylon - M8 x 1,25mm Zn8
7	1	108-84	Washer, Engine Clutch	37	1	613-127	Magnet, Speedometer
8	1	112-160	HHCS, 7/16-20 x 5.0" Lg	39	2	100-127	Fitting, Grease STR
9	1	127-137	Drive Belt - 10.5" Cen. Dist				1/4-28 TPR (From S.N. 31096)
	1	127-137HD	Drive Belt - Avg/HDi Heavy Duty (Opt.)	40	1	612-101	Cable Asm., Throttle
10			See Section 3.0 Clutch System	41	10	108-05	Lockwasher 5/16 Split-Ring Zn
11	1	110-03	Key 1/4 x 3/16 x 2.375 RC46	42	1	125-64	Filter, Fuel
12	1	M-545016	Screw, Clamp Cable (Kohler #)	43	1	24 418 05	Sensor, Oxygen
13	1	112-164	HHCS 3/8-16 x 3.5 Gr5 Zn	44	4	108-26	Washer, .43 x 1.02 x .09 Zn
14	6	108-06	Lockwasher 3/8 Split Ring Zn	45		112-156	Plug, Oil Drain 3/8-18 NPT Hex
15	1	108-46	Washer .40 x 1.37 x 1.2 Hi-Carbon	46	1	24 089 46	Spring, Governer (Kohler #)
16	2	112-189	HHCS 1/2-13 x 1.25 Gr5 Zn	47	4	103-41	SHCS 3/8-16x1.25 Zn
17	4	108-107	Lockwasher 1/2" High Alloy	48	1	108-58	Washer, .47 x 1.37 x 12 Hi-Carbon
18	2	112-190	HHCS 1/2-13 x 3.0 Gr5 Zn	49	1	66 584 05	ECU (c/w engine)
19	2	165-22	Disc, Brake - Admiral	50	2	112-161	PHMS, 10-24 x 2.5
20	8	117-29	Locknut, Nylon 3/8-16 Zn	51	1	612-92	Cable Ass'y, Choke
21	2	108-18	Washer .40 x 1.37 x .12 Zn	52	1	117-68	Nut, Jam 3/8-24 UNF Zn
22	2	103-60	HHCS 3/8-24 x 1 Gr5	53	1	108-32	Lockwasher 3/8 Int. Tooth
23	1	165-54	Brkt, Caliper HD RH	54	1	127-49	Spring, Extension
24	1	165-53	Brkt, Caliper HD LH (not shown)	55	4	108-47	Washer .39x.94x.13 Zn
25			See Section 5.0 Steering & Brake System	56	4	103-88	C/Bolt 3/8-16x1.0 Gr5 Zn
26	2	165-25	Disc, Brake, Service	57		114-03	Shim, 1/32 Thick (as required)
27	2	810-117	Coupler, Idler Shaft				
28	1	110-18	Key 1/4 x 1/4 x 1.75				
29	1	810-116	Shaft, Idler, Spline, Long 11T				
30	1	12 237 01	Clamp, Cable (Kohler #)				
31	1	24 089 51	Spring, Throttle (Kohler #)				
32			See Section 5.0 Steering & Brake System				

5.0 Steering & Brake System

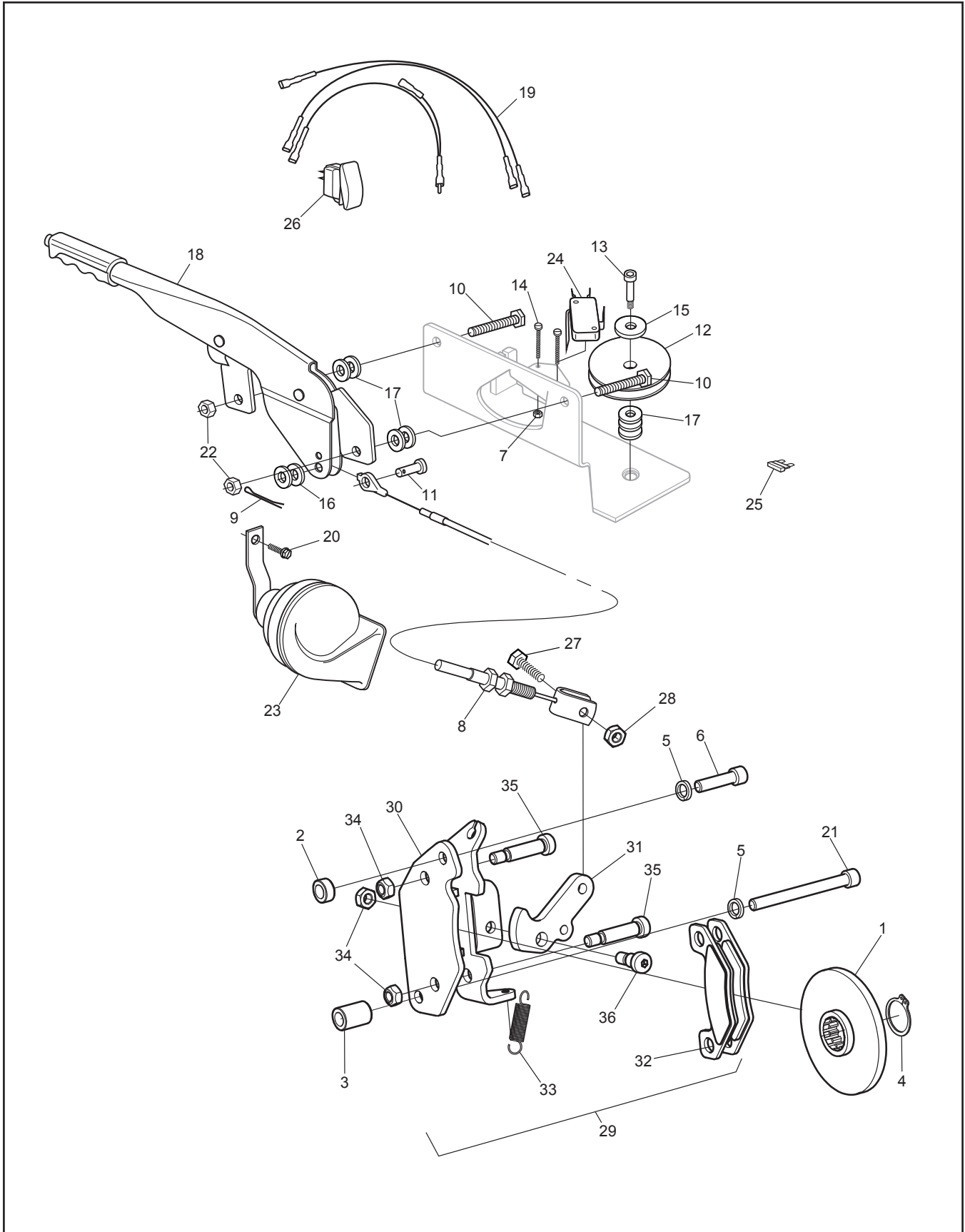
HDi/HD Parts Manual



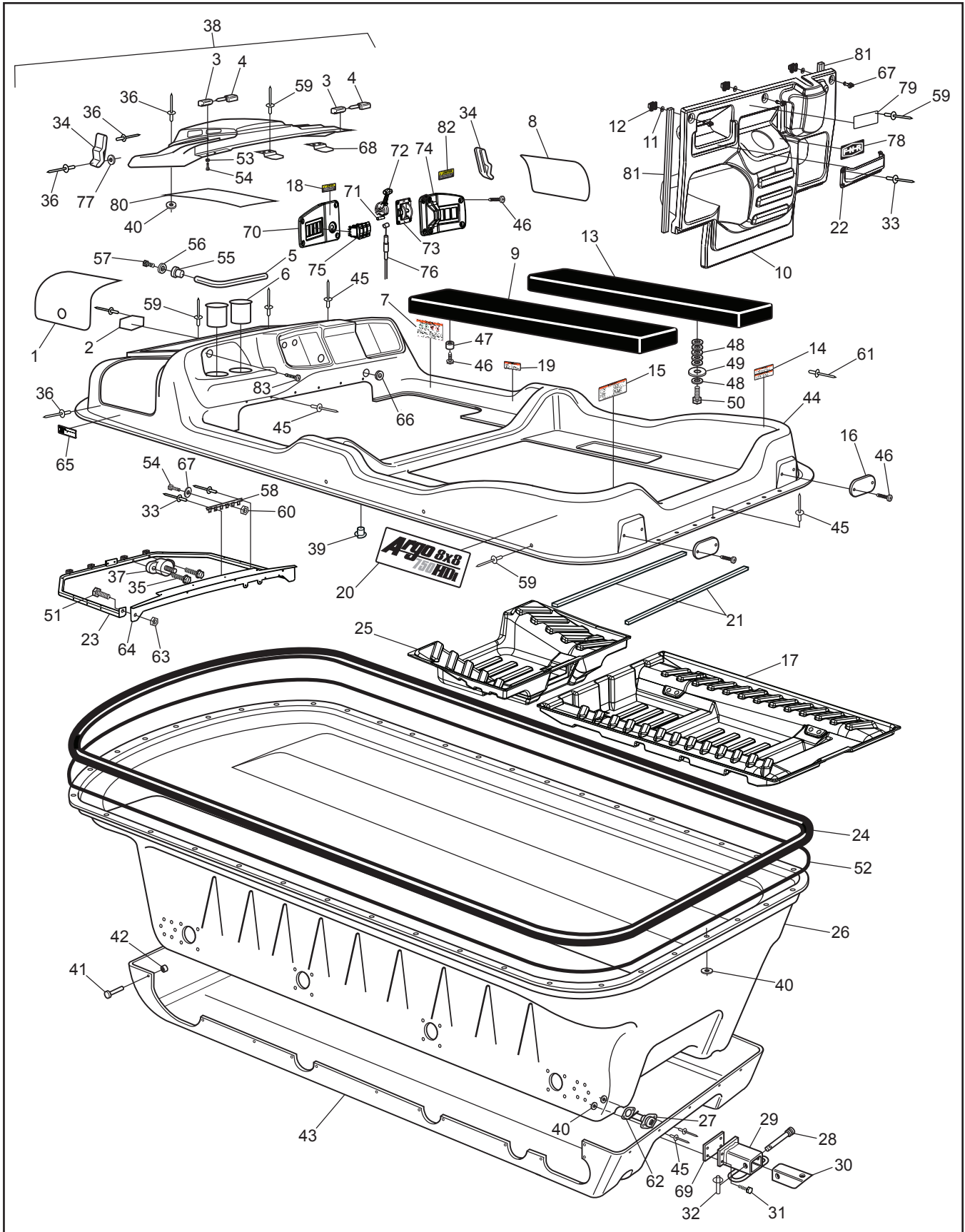
Ref.	Qty.	Part #	Description	Ref.	Qty.	Part #	Description
1	1	612-133	Frame Ass'y- Steering Column HDi	45		126-19	Fluid, Brake-Silicon Dot 5 - .35L
2	1	612-107	Handlebar Assembly	46	1	163-05	Hose Asm, Hydraulic - Left
3	1	165-08	Master Cylinder, Grimeca - R	47	1	163-06	Hose Asm, Hydraulic - Right - SS
4	1	165-07	Master Cylinder, Grimeca - L	48	2x2	160-42	Screw, FHMS M5 x 0,8 x 6mm
5	1	612-128	Shaft, Steering - Avenger	49	2x1	168-08	Cover
6	2	104-42	Pin, Spring 1/4 x 1.5"	50	2x1	168-09	Cover, Rubber
7	1	108-47	Washer, .39 x .94 x .13 Zn Di-chr	51	1	165-37	Piston Seal Kit - Wilwood
8	1	117-29	Locknut, Nylon 3/8-16 Zn	52	2x1	162-08	Spring, Comp. 17.3 x 49.3mm
9	2	612-124	Arm, Steering	53	2x1		Seal, Primary, 19mm (See Ref. 63)
10	1	612-106	Clamp, Lower Handlebar	54	2x1	168-10	Piston 19mm dia.
11	1	612-105	Clamp, Upper Handlebar	55	2x1		Seal, Secondary, 19mm (See Ref. 63)
12	1	106-07	Ring, Retaining SH-0075PA	56	2x1		Boot, Rubber (See Ref. 63)
13	1	112-194	Bolt, Banjo, M10x1.0, Double	57	2	812-30	Pin, Female
14	2	105-16	Bushing, Oilite - 3/4 x 1/2	58	2	117-03	Nut, Fin Hex 1/4-20 Zn
15	2	110-17	Key, 3/16 x 3/16 x .625	59	2	812-31	Fin, Male
16	1	117-21	Locknut, Nylon 5/16-18 Zn	60	2	112-02	SHSS 10-24x1/4 Knurl Cup PT, PL
17	2	112-47	SHCS, 1/4-20 x 1.0 Zn	61	4	165-38	Caliper Pin, Service Brake HDi
18	2	117-27	Locknut, Nylon 1/4-20 Zn	62	2x2	168-07	Pin, Cotter 1/8 x 3.00 Zn
19	1	112-155	C/Bolt 5/16-18x1.25 Gr2 Zn	63	2x1	161-25	O-Ring Kit - Master Cylinder - Grimeca (incl. Ref. 53, 55 & 56)
20	1	108-24	Washer, .34 x .70 x .06 Zn	64	6	160-44	Bolt, Banjo - M10 x 1,0 x 21,0
21	2	112-04	HHCS 1/4-20 x 3/4 Gr2 Zn	65	15	160-01	Washer, Copper - 1,5 x 10,0 x 14,0
22	2	108-03	Lockwasher 1/4 Split Ring Zn	66	3	125-84	Grommet, Rubber
23	2	103-66	HHCS, 1/4-20 x 4.0 Gr5 Zn	68	1	165-43	Brake Line, Driver Side
24	4	108-08	Washer, .28 x .62 x .04 Zn	69	2	103-69	SHCS 1/4-20 x 1.5 Zn
25	2x8	108-24	Washer, .34 x .70 x .06 Zn	70	1	612-132	Bracket, LCD Gauge - Painted
26	2	812-17	Collar	71	1	128-27	Grommet 1-1/4ID x 1-1/2x3/32
27	1	165-31	Handbrake, Left Hydraulic	72	2	117-86	Nut, Acorn, 1/4-20 Zn
28	1	165-42	Brake Line, Passenger Side	73	3	117-85	Nut, Acorn, M5 Zn
29	2	127-35	Grip, Molded	74	3	120-04	Washer .19 x .50 x.08 Zn
30	1	127-81	Throttle Twist Grip				
31	1	612-101	Cable Asm., Throttle				
32	2	165-32	Caliper, Service (includes Ref. 44 & 61)				
33	1	166-10	Caliper, Hydraulic Brake - L w/o pads				
34	1	166-11	Caliper, Hydraulic Brake - R w/o pads				
35	2	161-05	O-ring Kit, Knott Caliper				
36	4		Seal, Piston				
37	2		Seal, Rubber				
38	2x1	168-20	Plug, Rubber				
39	2x1	168-02	Screw, Bleeding, Knott Caliper				
40	2x4	103-55	HHCS, 5/16-18 x 2.75 Gr5 Zn				
41	1	170-03	Pad Set (4), Brake - Non-Asbestos				
42	2x4	117-03	Nut, Fin Hex 5/16-18 Zn				
43	2x2	168-01	Piston, Knott Caliper				
44	1	165-36	Brake Pad (4) Replacement - Kit				

6.0 Parking Brake

HDi/HD Parts Manual



Ref.	Qty.	Part #	Description
1	1	165-52	Rotor, E-Brake
2	1	165-49	Spacer, ID.39 x OD.63 x .295
3	1	165-48	Spacer, ID.39 x OD.63 x .90
4	1	106-29	Retaining Ring SH-0093-PA
5	2	108-05	Lockwasher 5/16 Split-Ring Zn
6	1	112-143	SHCS 5/16 x 1.25 Zn
7	2	112-173	Locknut, #5-40, Zn
8	1	850-81	Cable, Parking Brake
9	1	100-100	Pin, Cotter 1/8x3/4 Zn
10	2	103-06	HHCS 5/16-18x1.0 Gr5 Zn
11	1	104-27	Pin, Clevis 5/16x.75" Zn
12	1	850-79	Pulley, Parking Brake Cable
13	1	112-178	Bolt, Shoulder, 1/2 x 5/8
14	2	112-172	SHCS 5-40 x 3/4 Zn
15	1	108-35	Washer .53 x 1.06 x .09 Zn
16	2	108-24	Washer .34x.70x.06 Zn
17	7	108-47	Washer .39x.94x.13 Zn Di-Chro
18	1	809-147	Lever, Parking Brake
19	1	848-176	Harness, Horn Momentary*
20	1	112-19	Screw,IHWH T/C Slot 1/4-20x1/2*
21	1	112-228	SHCS 5/16-18 x 3.25 Zn
22	2	117-21	Locknut, Nylon 5/16-18 Zn
23	1	848-87	Horn, Electric*
24	1	613-120	Switch, Micro, Lever
25	1	118-52	Fuse, 10A 2-Prong (AT010)*
26	1	848-175	Switch, Horn Momentary*
27	1	103-08	HHCS 1/4-20 x 1.0 Zn
28	1	117-27	Locknut, Nylon 1/4-20 Zn
29	1	165-50	Caliper, Parking Brake, Ass'y(incl. Ref. #'s 30-36)
30	1	165-44	Caliper, Wldt Parking Brake
31	1	165-51	Cam, Caliper, Park Brake
32	1	165-36	Brake Pad Replacement Kit
33	1	127-280	Spring, Extension 3/8" x 1.75"
34	3	117-25	Nut, Conelock 5/16-18
35	2	112-224	Bolt, Shoulder 3/8 x 1.25
36	1	112-223	Bolt, Shoulder 3/8 x 0.38
			*If equipped



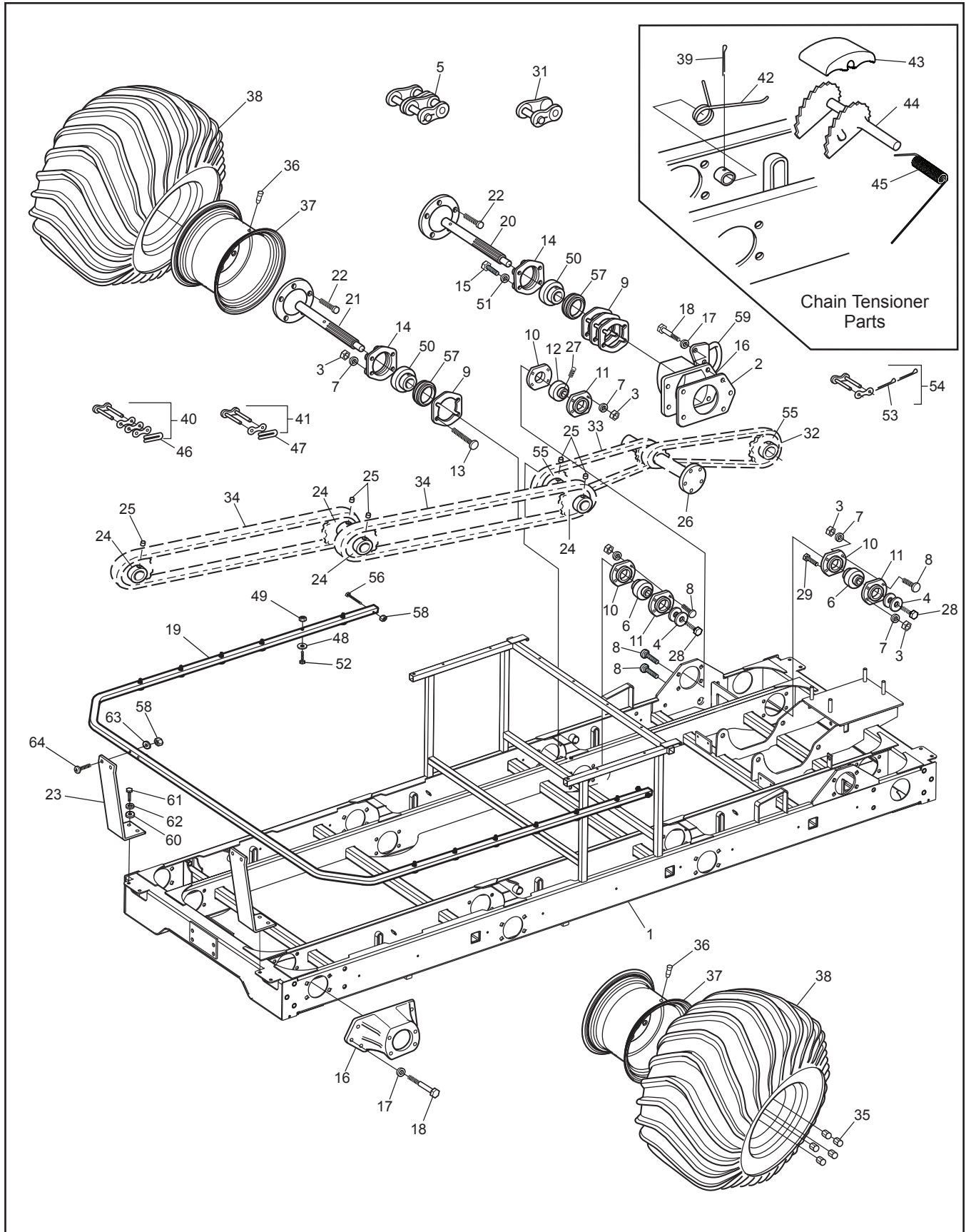
HDi/HD Parts Manual

7.0 Vehicle Body & Firewall

Ref.	Qty.	Part #	Description	Ref.	Qty.	Part #	Description
1	1	707-43	Screen - Exhaust	44	1	801-194	Body & Hood 8x8 HDi 750, (spec. colour) (incl. 23, 33, 34, 38)
2	1	601-44	Nameplate, "Argo"	45	115	120-09	Rivet 3/16 x 1 - Black
3	2	127-45B	Knuckle, Hinge	46	16	103-48	T/S Pan HD PHIL #10 x 5/8
4	2	127-45A	Pin, Hinge	47	4	126-79	Bumper, Plastic - Black
5	1	601-101BL	Tube, Dash Handle	48	24	108-25	Washer .31 x .75 x .06 Zn
6	2	100-109	Cup holder Insert	49	4	603-15	Washer, Plastic 5/16 Hole
7	1	126-68	Plate, Operation	50	4	103-08	HHCS 1/4-20 x 1.0 Zn
8	1	707-42	Screen, Intake	51	2	112-04	HHCS 1/4-20 x 3/4 Gr2 Zn
9	1	608-64	Seat, Rear - Left	52	1	126-60	Vinyl Strip, 1/2" x 1/4" x 37.5'
10	1	609-42	Firewall, Admiral	53	8	108-59	Lockwasher #10 Int. Tooth Zn
11	3	114-24	Retainer, Q-Turn Washer	54	9	103-47	HHCS 10-24 x 1/2
12	3	117-91	Receptacle, Q-Turn	55	1	113-12	Insert, 1/2-13
13	1	608-65	Seat, Rear - Right	56	1	108-35	Washer .53 x 1.06 x .09 Zn
14	1	126-67	Plate, Floor Pan	57	1	112-151	HHCS 1/2-13 x 1" Gr2 Zn
15	1	127-173	Plate, Vehicle Capacity	58	1	613-37	Terminal Strip, Ground
16	2	127-01	Reflector, Red	59	17	120-13	Rivet, 3/16 x 3/4 Black
17	1	803-64	Floor Pan, Rear - HDi	60	1	117-10	Locknut, 10-24 N/I Zn
18	1	127-199	Label, Caution - Dash, HDi	61	38	120-24	Rivet, 3/32 x 3/8 Alum. (all plates)
19	1	126-69	Plate, Fuel	62	2	100-114	Gasket, Drain Plug
20	2	127-196	Nameplate - Argo 750 HDi	63	2	117-82	Locknut, Flange 1/4-20 Zn
	2	127-216	Nameplate, 700 HD	64	1	602-51	Frame Ass'y, Hood - Rear
21	2	601-09	Trim, Vinyl - 28"	65	1	127-144	Label, Warning - HOT
22	1	609-43	Glove Box, Firewall, HDi	66	1	128-26	Grommet, 1-1/2ID x 1-3/4x1/4
23	1	602-49	Frame Ass'y, Hood - Front	67	3	112-193	Stud, Q-Turn
24	1	801-05	Bumper, Vinyl - 8x8	68	2	602-52	Clip, Hood
25	1	803-63	Floor Pan, Front - HDi	69	1	616-20	Gasket, Rear Hitch
26	1	801-50	Body, Lower	70	1	601-113	Panel, Dash - Left, HDi
27	2	100-107	Plug, Drain - Flanged	71	1	104-66	Pin, HD Shift Cable Threaded
28	1	104-13	Pin, Toplink - 3/4 x 2.75	72	1	127-212	Pivot, Hi-Lo Shifter
29	1	616-16	Hitch Assembly	73	1	127-211	Bracket, Hi-Lo Shifter
30	1	616-19	Tube, Hitch	74	1	601-112	Panel, Dash - Right, HDi
31	4	103-61	HHCS 3/8-24 x 1.5 Gr5 Zn	75	1		See Section 10.0 Electrical System
32	1	104-11	Pin, Lynch - Ring	76	1	127-223	Cable, Hi-Lo Shift Threaded
33	12	120-15	Rivet - 1/8 x 7/16	77	6	120-05	Washer .19 x .50 x .04 Zn
34	2	602-56	Latch, Hood - Soft Draw	78	1	127-200	Label, F-N-R - HDi
35	2	112-51	Screw, IHWH T/C #10-24x5/8	79	1	129-01	Plate, Geared By ODG
36	34	120-11	Rivet 5/32 x 9/16 - Black	80	1	602-68	Screen, 1 Pc Hood/Scoop
37	1	613-123	Post, Power, 5/16-18, Red	81	2	809-166-15	Seal, 15" Long
38	1	602-70	Hood Ass'y, Avg/HDi 8x8 (specify colour) (incl. 3, 4, 34, 36, 40, 45, 53, 54, 59, 67, 68, 79, 80)	82	1	127-221	Label, Shift Warning
39	2	117-44	T- Nut 1/4-20 Zn	83	3	112-139	OHPS T/S #4x5/8 Black Zn
40	92	120-04	Washer .19 x .50 x .08 Zn				Note: For ultra chrome add UC to part #
41	32	120-27	Pin, Magna Grip				
42	32	120-28	Collar, Magna Grip				
43	1	801-51	Skid Plate, 8x8 - Black				

8.0 Frame and Drive System

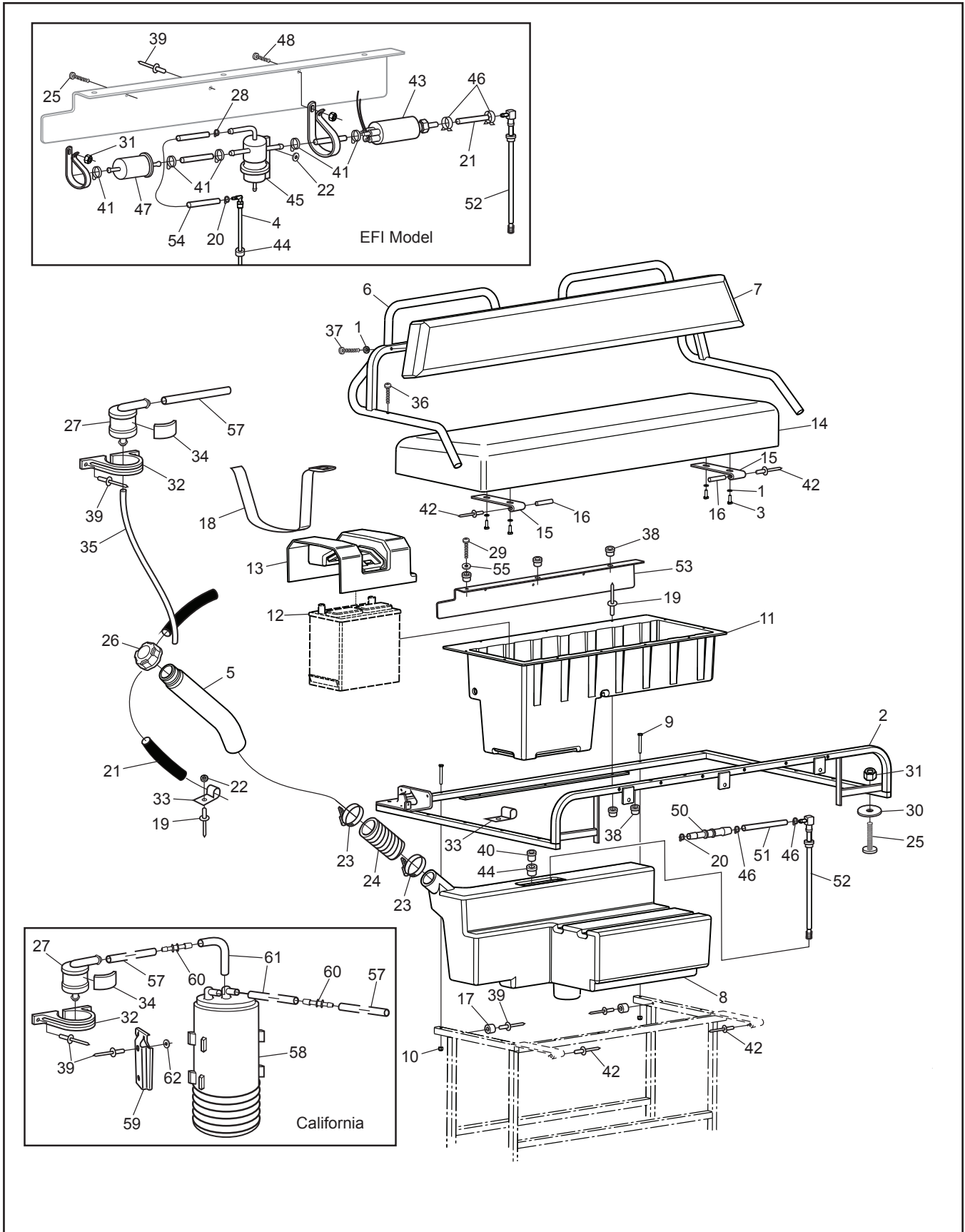
HDi/HD Parts Manual



HDi/HD Parts Manual

8.0 Frame and Drive System

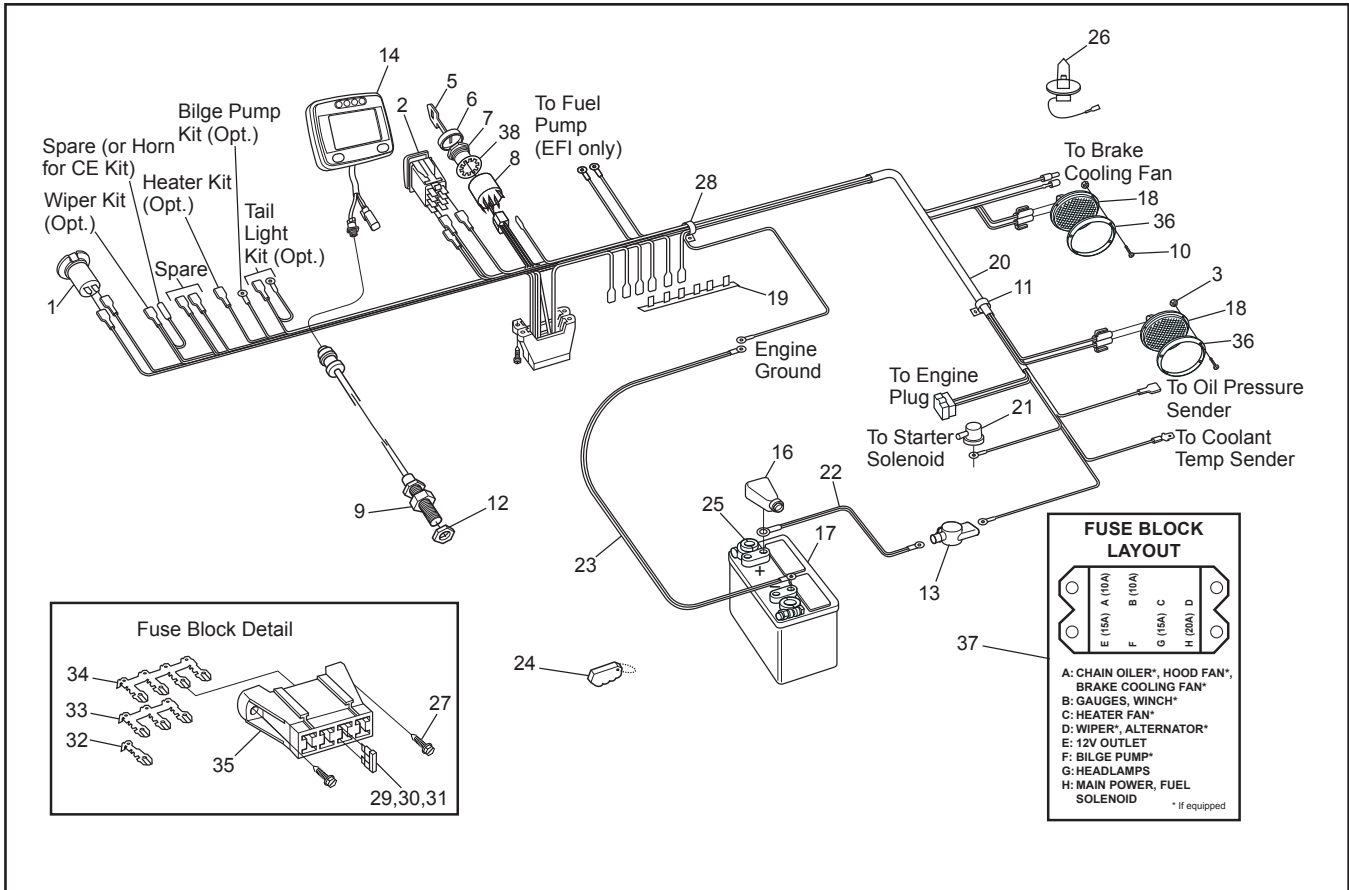
Ref.	Qty.	Part #	Description	Ref.	Qty.	Part #	Description
1	1	804-125	Frame Asm - 8x8 HDi-HR	39	6	100-01	Pin, Cotter 1/8 x 1.50 Zn
2	4	606-25	Gasket - Bearing Extension	40	1x4	100-96	Con. Link, RC50-2 H.D.
3	80	117-29	Locknut, Nylon 3/8-16 Zn	41	1x4	603-84	Con. Link, RC60-1 H.D.
4	16	108-46	Washer .40 x 1.37 x .12 Hi-Carbon	42	6	127-65	Spring Torsion - 1.16x0.35
5		125-75	Link, Half RC50-2	43	6	606-44	Slider Block
6	8	101-41	Bearing, Ball - 1.0	44	6	606-82	Tensioner Asm, Chain
7	96	108-15	Washer, .42 x .81 x .05 Zn	45	6	127-64	Spring, Torsion - .76 x 1.9
8	39	103-88	C/Bolt 3/8-16 x 1.0 Gr5 Zn	46	4	603-95	Spring Clip - RC 50 Closed
9	16	606-90	Gasket, Flange - 72mm	47	4	603-96	Spring Clip - RC 60 Closed
10	20	606-91	Flange - 4 Hole Hd	48	14	108-42	Washer .21x1.0x.06 Zn
11	10	606-92	Flange, Greasable - 4 Hole Hd	49	14	117-10	Locknut, 10-24 N/I Zn
12	2	101-96	Bearing, Ball - 1.25x1.5 No Grv	50	8	101-95	Bearing, Ball - 1.25 x 72mm
13	16	112-187	C-Bolt 3/8-16x2.0 Gr5 Zn	51	16	108-06	Lockwasher 3/8 Split Ring Zn
14	8	606-88	Flange Ass'y, Outer Bearing	52	14	112-07	RHMS 10-24x1.50 Zn
15	16	103-68	HHCS 3/8-16 x 2.0 Gr5 Zn	53	4	104-35	Pin, Cotter 2mm x 12mm
16	4	810-112	Bearing Extension w/nuts	54	2	127-188	Link, Con. #60 Lambda
17	20	108-34	Washer .47 x .94 x .06 Zn	55	4	810-118	Sprocket, D50 x 25T
18	20	112-181	HHCS 7/16-20 x 1.75 Gr5 Zn	56	2	112-214	HHCS 1/4-20 x 2 Gr5 Zn
19	1	806-254	Tube, Rear Hoop, Argo	57	8	606-89	Carrier, Axle Bearing
20	4	810-92	Axle Asm - Front/Rear HD	58	6	117-27	Locknut, Nylon 1/4-20 Zn
21	4	810-113	Axle Asm - Mid HD	59	2	642-47	Tie Down Bracket
22	5x8	112-183	Stud, Wheel 7/16-20 x 1.5	60	4	108-12	Washer .34x1.00x.06 Zn
23	2	806-255	Bracket, Rear Hoop, Argo	61	4	103-06	HHCS 5/16-18x1.0 Gr5 Zn
24	8	606-34	Sprocket, S60 x 19T	62	4	108-05	Lockwasher 5/16 Split-Ring Zn
25	10	112-03	SHSS 5/16-18 x 3/8 1/2 DOG, PL	63	4	108-08	Washer .28x.62x.07 Zn
26	1		See Section 4.0 Power Pack Ass'y	64	4	112-215	C/Bolt 1/4-20 x 1.5 Gr2 Zn
27	4	112-60	SHSS 1/4-28 x 1/2 Cup Pt.				
28	8	112-31	HHCS 3/8-16 x 1.0 2B Gr8 Zn				
29	1	112-163	HHCS 3/8-16 x 2.0 Gr5 Zn				
30	8	112-61	C/Bolt 3/8-16 x 1.25 Gr5 Zn				
31		127-80	Link, Half - RC60 - 1 (opt.)				
32	2	603-19	Chain, RC50-2x44P-Front (incl. Ref. 40)				
33	2	803-65	Chain, RC50-2x80P-Middle (incl. Ref. 40)				
34	4	803-57	Chain, RC60-1 x 90P-Rear (incl. Ref. 41)				
35	5x8	117-35	Nut, Wheel 7/16-20 Zn				
36	8	125-26	Valve, Tire				
37	8	127-61BL	Rim - 10 x 9 - Black				
38	8	127-182	Tire, Argo 25x12-9				



Ref.	Qty.	Part #	Description	Ref.	Qty.	Part #	Description
1	8	108-03	Lockwasher 1/4 Split Ring Zn	45	1	24 403 16	Regulator, Fuel Pressure
2	1	608-145	Frame Assembly, Seat HDi	46	2	112-78	Clamp, Hose, 9/16
3	4	112-04	HHCS 1/4-20x3/4 Gr2 Zn	47	1	24 050 03	Filter, Fuel Line - EFI - c/w engine
4	1	608-138	Return, Fuel Port	48	1	103-25	PHMS, 10-24 x 3/4 Zn
5	1	608-140	Fuel, Fill Neck Assembly	50	1	808-133	Reducer, 5/16" to 1/4" Barbed
6	1	608-76	Frame Assembly, Backrest	51	2"	608-69RM	Hose, Fuel - 5/16" ID Carb
7	1	608-39	Back Pad Assembly	52	1	608-127	Pick-up, Fuel, 5/16 105 Mesh
8	1	608-122	Tank, Fuel Single Layer	53	1	601-122	Bracket, Support Body Upper Fuel
	1	608-120	Tank, Fuel Low Permeation (for U.S.)	54	1	608-66	Hose, Fuel
9	2	103-77	HHCS, 1/4-28 x 2.0	55	3	108-06	Washer, Countersunk 1/4 Zn
10	2	117-01	Locknut, Nylon 1/4-28 Zn				United States Vehicle Kit
11	1	608-54	Toolbox	8	1	608-120	Tank, Fuel Low Permeation
12	1	127-54	See Section 10.0 Electrical System	1	1	127-273	Plate, Serial Blank Double Label, U.S EPA EVAP Approval
13	1	608-55	Cover, Battery	1	1	127-274	Label, U.S EPA EVAP Approval
14	1	608-88	Seat Assembly, Bench - Thick	56	2	120-24	Rivet, Alum - 3/32 x 3/8 Black
15	2	608-81	Hinge, Seat, Bolted				California Vehicle Kit
16	2	104-43	Pin, 3/16" x 1-1/8"	8	1	608-120	Tank, Fuel Low Permeation
17	2	126-102	Bumper, Recessed Hole	1	1	127-273	Plate, Serial Blank Double Label, U.S EPA EVAP Approval
18	1	608-56	Strap, Battery	1	1	127-274	Label, U.S EPA EVAP Approval
19	17	120-09	Rivet 3/16x1 - Black	39	2	120-13	Rivet - 3/16 x 3/4 Black
20	3	112-79	Clamp, Hose, 1/2" - Red	56	4	120-24	Rivet, Alum - 3/32 x 3/8 Black
21	1	608-69	Hose, Fuel 5/16" ID x 7.5' - Carb				Label, Carb EVAP Approval
22	9	120-04	Washer .19 x .50 x .08 Zn	57	1	126-101RM	Hose, Vent 3/16" ID
23	2	100-12	Clamp, Gear 2.25" HF-36	58	1	609-45	Carbon Canister 800cc
24	1	125-94	Hose, Filler	59	1	609-46	Bracket, Carbon Canister
25	11	112-07	RHMS 10-24 x 1.50 Zn	60	2	609-48	Reducer, Barbed 1/4" to 3/16"
26	1	126-100	Fuel Cap, Tethered	61	2	127-160-3	Hose, 1/4ID x 3/8OD - 3" Long
27	1	609-47	Valve, Rollover	62	2	120-05	Washer .19x.50x.04 Zn
28	1	112-258	Clamp, Fuel Injection 1/4				
29	3	112-213	FHMS, Phil 1/4-20x1.25 Zn				
30	10	108-42	Washer .21 x 1.0x.06 Zn				
31	14	117-10	Locknut, Nylon #10-24 Zn				
32	1	609-50	Clamp, Rollover Valve				
33	7	126-93	Clamp, Nylon Wire - 1/2" ID				
34	1	126-60	Vinyl Strip 1/2" x 1/4"				
35	6'	127-160RM	Tubing, 1/4 ID Clear Plastic				
36	3	112-41	PHMS, Phil 1/4-20 x 1.25 Zn				
37	4	103-03	PHMS, Phil 1/4-20 x 1.50 Zn				
38	5	117-64	Insert, 1/4-20 Steel Cad Pltg.				
39	33	120-13	Rivet, 3/16 x 3/4 Black				
40	1	608-137	Plug, Push-In				
41	6	112-243	Clamp, Fuel Injection 5/16"				
42	4	120-31	Rivet, 3/16" x 1/4, Open End				
43	1	24 393 52	Fuel Pump, EFI				
44	1	608-136	Grommet, Fuel Return				

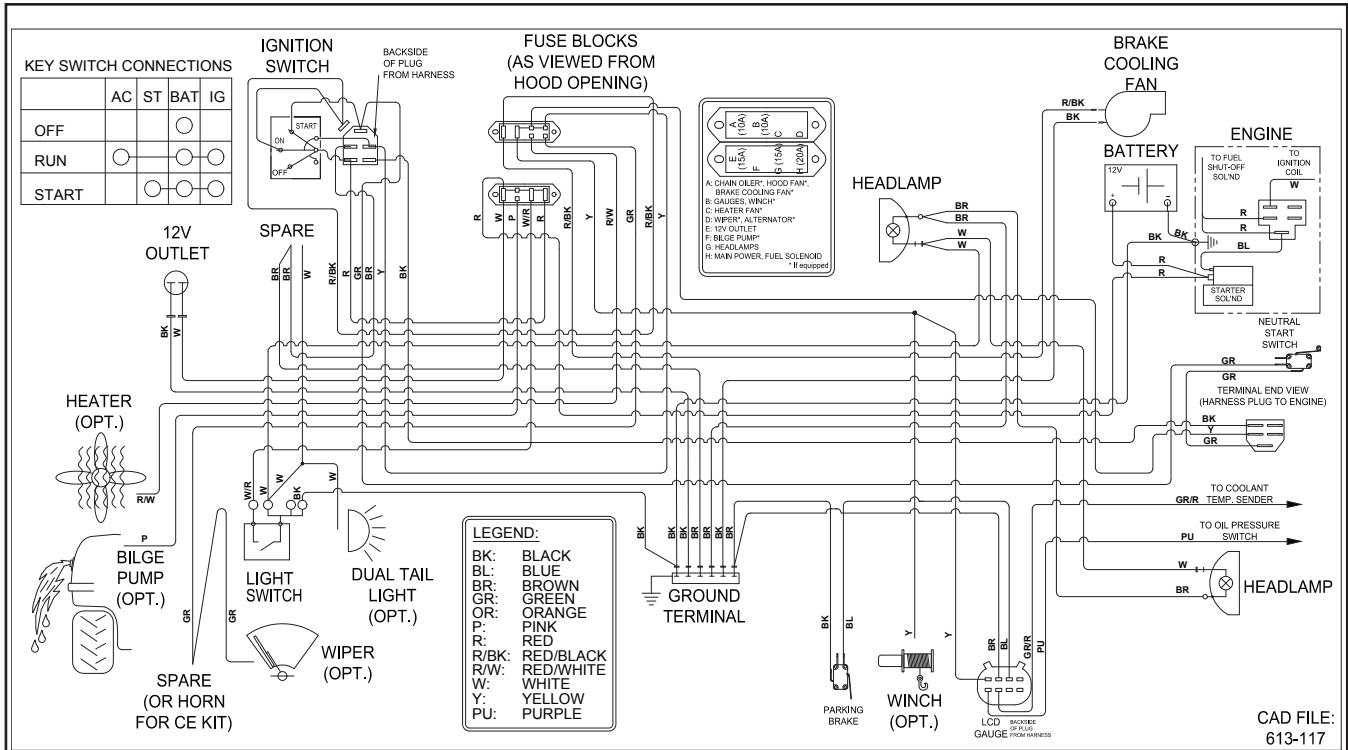
10.0 Electrical System

HDi/HD Parts Manual

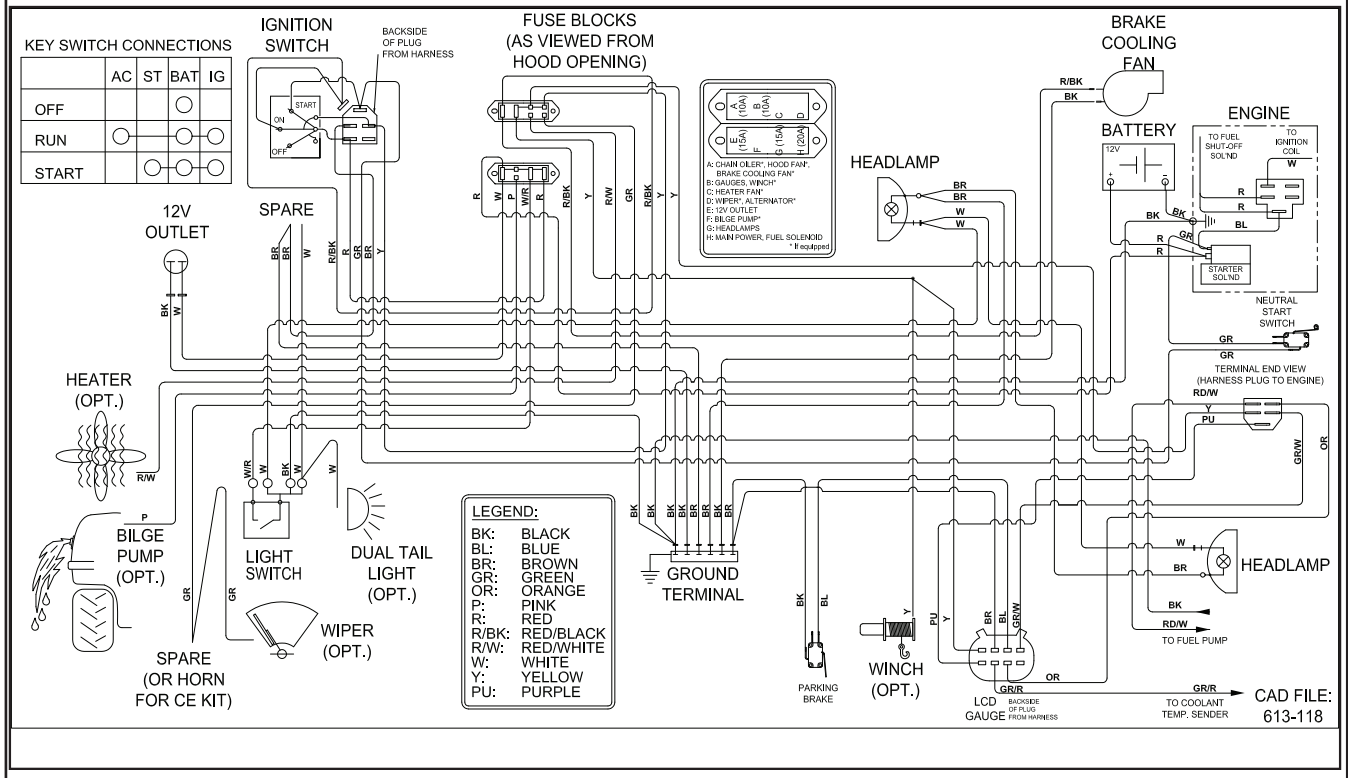


Ref.	Qty.	Part #	Description
1	1	613-90	Outlet, 12 Volt DC
2	1	613-153	Switch, Light
3	8	117-93	Nut, Speed #10
5	2	127-108	Key, Molded
6	1	127-107	Bezel - Cover, Nut
7	1	127-106	Nut, Flanged - Plastic
8	1	127-105	Switch - Ignition
9	1	613-226	Sensor, Speedo Pickup 1 Pc.
10	8	112-198	T/S Pan Hd Phil #10 x 1 Blk.
11	4	127-24	Clamp, Nylon - 1" ID
12	1	117-87	Nut, M12 x 1.25, Zn
13	1	613-124	Insulator, 2 Way w/cap, Red
14	1	613-130	Gauge, LCD
16	1	127-55	Cap, Battery Terminal - Red
17	1	127-54	Battery, Exide 45-60
	1	613-161	Battery, Optima - Argo (Opt.)
18	2	613-159	Headlight 37.5
19	2	613-37	Terminal Strip, Ground
20	1	613-117	Wire Harness, Kohler Carb
20a	1	613-118	Wire Harness, Kohler 31HP EFI
21	1	613-46	Insulator, Terminal (2 ga.)
22	1	613-94	Wire, Positive Battery

Ref.	Qty.	Part #	Description
23	1	613-95	Wire, Negative Battery
24	1	681-00	FOB, Key - Floating
25	2	127-56	Terminal, Battery Post
26	2	127-46	Bulb, Headlight - Halogen 37W
27	2	112-51	Screw, IHWH T/C #10-24 x 5/8
28	4	126-93	Clamp, Nylon Wire - 1/2" ID
29	1	118-52	Fuse, 10A 2 Prong (AT010)
30	2	118-49	Fuse, 15A 2 Prong (AT015)
31	1	118-53	Fuse, 20A 2 Prong (AT020)
32	9	118-62	Terminal - Fuse, single
33	1	118-63	Terminal - Fuse, triple
34	1	118-61	Terminal - Fuse, quad
35	2	118-60	Block - Fuse, 8 position (4 fuse)
36	2	613-152	Bezel, Headlamp
37	1	127-298	Label, Fuse Panel - Argo
38	1	114-26	Lockwasher, 5/8 Int. Tooth



EFI Models



ARGO Products Manufactured by:

Ontario Drive & Gear Limited

220 Bergey Court

New Hamburg, Ontario

Canada N3A 2J5

Phone: (519) 662-2840

Fax: (519) 662-2421

www.argoatv.com

ODG *Dedicated to quality and performance*